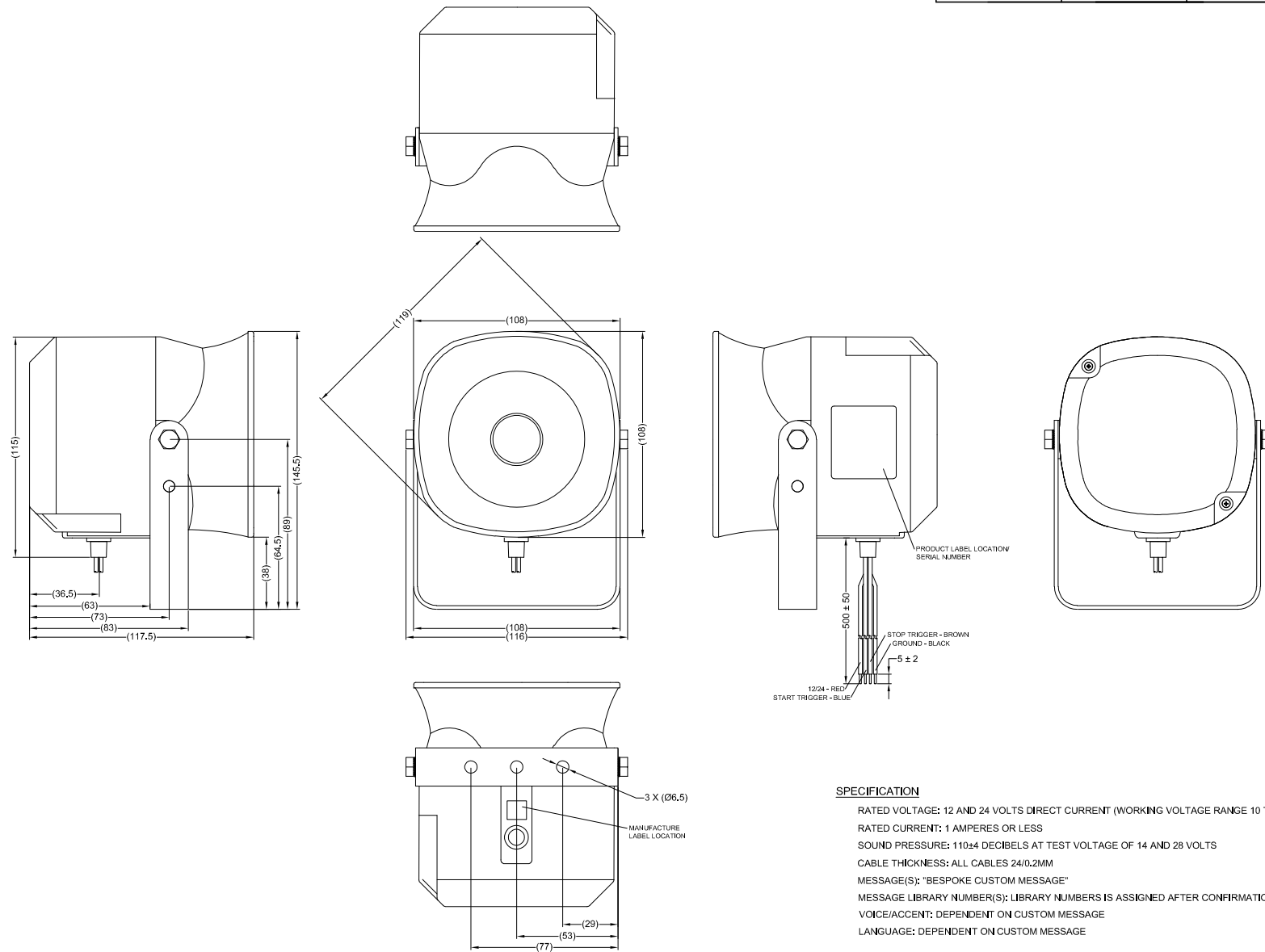


Revision Notes.				
R1 -				
APA: -	Drawn:-	Checked:-	Approved:-	Date: --/------

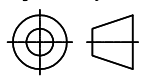


SPECIFICATION

RATED VOLTAGE: 12 AND 24 VOLTS DIRECT CURRENT (WORKING VOLTAGE RANGE 10 THRU 30 VOLTS)
 RATED CURRENT: 1 AMPERES OR LESS
 SOUND PRESSURE: 110±4 DECIBELS AT TEST VOLTAGE OF 14 AND 28 VOLTS
 CABLE THICKNESS: ALL CABLES 24/0.2MM
 MESSAGE(S): "BESPOKE CUSTOM MESSAGE"
 MESSAGE LIBRARY NUMBER(S): LIBRARY NUMBERS IS ASSIGNED AFTER CONFIRMATION
 VOICE/ACCENT: DEPENDENT ON CUSTOM MESSAGE
 LANGUAGE: DEPENDENT ON CUSTOM MESSAGE

- NOTES:**
1. MATERIAL: ABS PLASTIC - ULTRA VIOLET STABILIZED
 2. FOR PACKAGING AND LABELING DETAIL REFER TO LATEST VERSION OF MASTER BOM.
 3. 2 X M6 X10 BOLTS & 2 X M6 SHAKE PROOF WASHER ARE SUPPLIED IN A PRESS SEAL BAG IN THE BOX.
 4. ALARM TO BE SUPPLIED WITH U SHAPE BRACKET IN THE BOX
 5. POWER & MESSAGE CABLES LENGTHS ARE MEASURED FROM CABLE ENTRY POINT ON HOUSING.

PROPRIETARY NOTICE
 THIS DESIGN AND TECHNICAL INFORMATION APPEARING ON THIS DRAWING IS THE PROPERTY OF BRIGADE ELECTRONICS, AND IS DISCLOSED IN CONFIDENCE. IT IS NOT TO BE COPIED, REPRODUCED, REVEALED TO OR EXPROPRIATED BY OTHERS, EITHER IN WHOLE OR IN PART WITHOUT THE EXPRESS WRITTEN CONSENT OF BRIGADE ELECTRONICS.

Assembly Pl Approval A.HEDDLE	Approved by R.PENTLEY	Checked by R.BATES	Drawn by J.STEWART
Angle of Projection  Third Angle	Units mm	Scale N/A	Released 29/10/19
Status RELEASED	BC-AA(B)		
Part No 1465A	BE-004234-00-19		

BRIGADE
 www.brigade-electronics.com